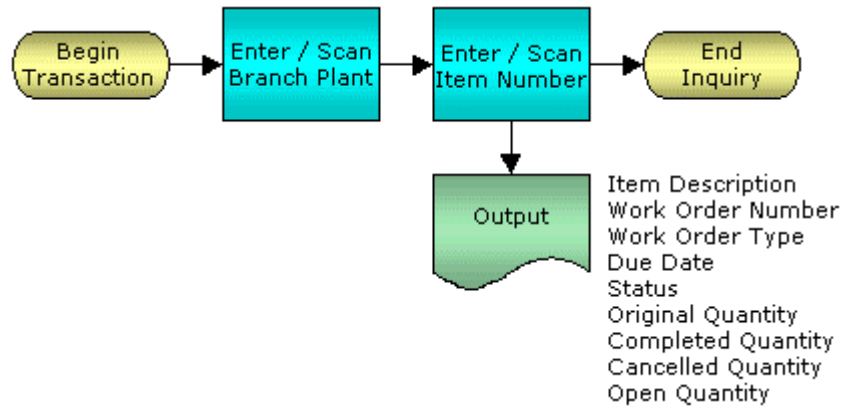


Work Order Inquiries by Status



© The DataMAX Software Group Inc
5049 Robert J Mathews Parkway, Suite 100
El Dorado Hills, CA 95762
(916) 939-4065

JD Edwards ENTERPRISEONE® are registered trademarks of Oracle® and protected by national and international copyright laws.

License Agreement

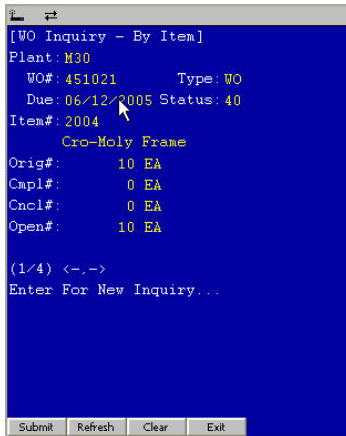
All information contained in this document is **Copyright 2006, the DataMAX Software Group, Inc., All Rights Are Reserved by DataMAX.** This document may not be published, nor used without the prior written consent of DataMAX. **Use of the RFGen Software 'Open Source' code is at all times subject to the DataMAX Open Source Licensing Agreement,** which must be accepted at the time the source code is installed on your computer system. For your convenience, a text copy of the Open Source Licensing Agreement is also loaded (and may be printed from) your RFGen based system.

Requirements: RFGen Version 3.2.0.25 or later
RFGen JDEdwards Integration Suite

TABLE OF CONTENTS

| | |
|--|----------|
| FWOQI0100 - WORK ORDER INQUIRY BY WORK ORDER STATUS | 2 |
| ✓ VALIDATIONS | 2 |
| ✓ EDITS | 2 |
| ⇨ FUNCTION KEYS | 2 |
| TEST SCRIPT DESCRIPTION: WO INQUIRY BY STATUS | 3 |
| RFGEN INPUT REQUIREMENTS | 3 |
| JD EDWARDS PROCESSING OPTION SETTINGS | 3 |
| EXECUTION PROCEDURES..... | 4 |
| OVERALL TEST CASE RESULTS | 5 |

FWOQI0100 - Work Order Inquiry by Work Order Status



This transaction displays items that are on work orders and the status.

The following conditions apply to the RFGen implementation for the Work Order Inquiry by Item transaction within the EnterpriseOne environment.

Note: any of these parameters may be easily adjusted to meet the unique requirements of your company.

✓ Validations

| Prompt | Table | Field |
|------------|--------|--------|
| Plant | F41001 | CIMCU |
| Work Order | F4801 | WADOCO |
| | | |
| | | |
| | | |

✓ Edits

| Condition | Table |
|----------------------|--------|
| Default Branch Plant | F40095 |
| | |
| | |
| | |

⇧ Function Keys

| Key | Function |
|-----|------------------------------------|
| F1 | Search Data for Current Field |
| F2 | Refresh the Current Screen Display |
| F3 | |
| F4 | Exits Transaction |
| | |
| | |
| | |

Test Script Description: WO Inquiry by Status

RFGen Input Requirements

Before you begin testing, ensure, for the combination of branch/plant(s) and item(s) you will be testing, that the following is setup in EnterpriseOne or PeopleSoft World.

- a. Plant
- b. Work Order Number

JD Edwards Processing Option Settings

Enter the Processing Option values, which correspond, to the version you selected for testing.

JDE Version: ZJDE0001_____

| Tab | Processing Option Description | Value |
|-----|-------------------------------|-------|
| | | |

Execution Procedures

| ID | Test Case | Expected Result | Pass | Fail |
|----|--|---|------|------|
| 1 | Type in a valid Plant _____ Press the ENTER key | RFGEN will validate and accept the plant entered | | |
| 2 | Type in a valid WO# _____ Press the ENTER key | RFGEN will validate and accept the work order number entered; and display the due date, status , order quantity, completed quantity, cancelled quantity, open quantity | | |
| 3 | Type in a valid Type _____ Press the ENTER key | RFGEN will validate and accept the document type entered | | |
| 4 | Type in an invalid Plant _____ Press the ENTER key | RFGEN will validate and display an error message – the field will continue to error out until corrected | | |
| 5 | Type in an invalid WO# _____ Press the ENTER key | RFGEN will validate and display an error message – the field will continue to error out until corrected | | |
| 6 | Type in an invalid Type _____ Press the ENTER key | RFGEN will validate and display an error message – the field will continue to error out until corrected | | |
| 7 | Press the “F1” key with the cursor in the Plant field | RFGEN will display a list of branch/plants | | |
| 8 | Press the “F1” key with the cursor in the Plant field to select and return a Plant | RFGEN will display a list of branch/plants and when selected, the Plant will be returned | | |
| 9 | Press the “F1” key with the cursor in the WO# field | RFGEN will display a list of work order numbers | | |
| 10 | Press the “F1” key with the cursor in the WO# field to select and return an WO# | RFGEN will display a list of work order numbers and when selected, the WO# will be returned | | |
| 11 | Press the “F1” key with the cursor in the Type field | RFGEN will display a list of document types | | |
| 12 | Press the “F1” key with the cursor in the Type field to select and return a Type | RFGEN will display a list of document types and when selected, the document type will be returned | | |
| 13 | If the “>” arrow key is pressed | RFGEN will scroll to the next work order number for the item | | |
| 14 | If the “<” arrow key is pressed | RFGEN will scroll to the previous work order number for the item | | |
| 15 | At the “Enter For Next Inquiry” prompt Press the ENTER key | RFGEN will clear work order information on the display and position the cursor in the work order number field | | |
| 16 | After reviewing the WO Inquiry by Status display | Confirm the WO Inquiry by Status results | | |

Overall Test Case Results

| | |
|------------------------|--|
| Pass/Fail: | |
| Tester/Date: | |
| Re-Tester/Date: | |

| | |
|------------------------|--|
| Actual Results: | |
|------------------------|--|

| | |
|------------------|--|
| Comments: | |
|------------------|--|