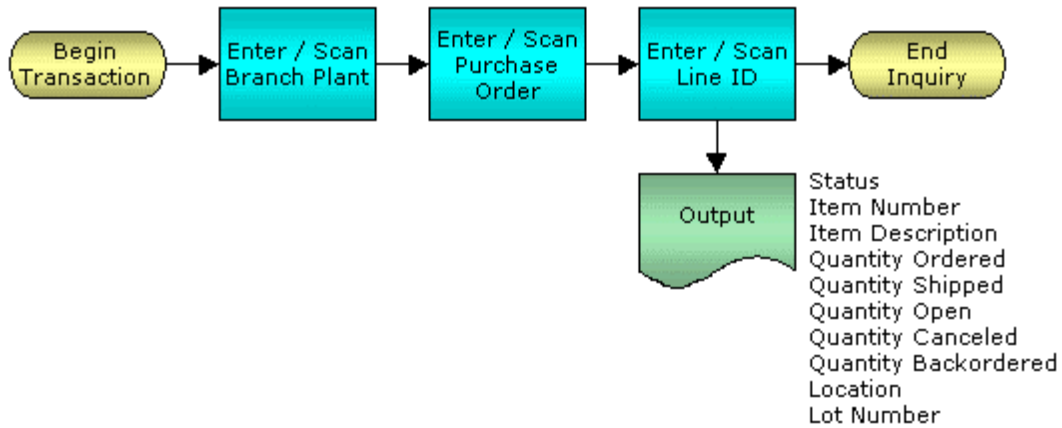


Purchase Order Inquiry – by Line



© The DataMAX Software Group Inc
5049 Robert J Mathews Parkway, Suite 100
El Dorado Hills, CA 95762
(916) 939-4065

JD Edwards ENTERPRISEONE® are registered trademarks of Oracle® and protected by national and international copyright laws.

License Agreement

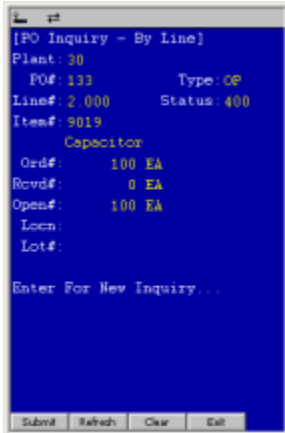
All information contained in this document is **Copyright 2006, the DataMAX Software Group, Inc., All Rights Are Reserved by DataMAX.** This document may not be published, nor used without the prior written consent of DataMAX. **Use of the RFGen Software 'Open Source' code is at all times subject to the DataMAX Open Source Licensing Agreement,** which must be accepted at the time the source code is installed on your computer system. For your convenience, a text copy of the Open Source Licensing Agreement is also loaded (and may be printed from) your RFGen based system.

Requirements: RFGen Version 3.2.0.25 or later
RFGen JDEdwards Integration Suite

TABLE OF CONTENTS

FPOQL0100 – PO INQUIRY – BY LINE	2
✓ INQUIRY	2
Field	2
⇨ FUNCTION KEYS	2
ENTERPRISEONE PROGRAMS - REFERENCE.....	3
TEST SCRIPT DESCRIPTION: PO INQUIRY BY LINE.....	4
RFGEN INPUT REQUIREMENTS.....	4
JD EDWARDS PROCESSING OPTION SETTINGS.....	4
EXECUTION PROCEDURES	4
OVERALL TEST CASE RESULTS	6

FPOQL0100 – PO Inquiry – By Line



This transaction displays Items, lines and status that are on Purchase Orders.

The following conditions apply to the RFGen implementation of the PO Inquiry – By Line within the EnterpriseOne environment.

Note: any of these parameters may be easily adjusted to meet the unique requirements of your company.

✓ Inquiry

View	Table	Field
Plant	F4311	PDMCU
Item	F4311	PDLITM
Order Number	F4311	PDDOCO
Quantity	F4311	PDUORG
Status	F4311	PDNXTR
Line Number	F4311	PDLNID

⇐ Function Keys

Key	Function
F1	Search Data for Current Field
F2	Refresh the Current Screen Display
F3	
F4	Exits Transaction

EnterpriseOne Programs - Reference

Application Name(s)	Code	Table
Open Orders Inquiry	P4310	F4310

EnterpriseOne Open Orders Inquiry: P4310

Order Number	Quantity To Receive	UM	Amount To Receive	Ship To	Or Ty	Order Co	Change Order	Supplier Number
133	100	EA	13.00	6031	OP	00001	000	4343 Parts Em

Test Script Description: PO Inquiry by Line

RFGGen Input Requirements

Before you begin testing, ensure, for the combination of branch/plant(s) and item(s) you will be testing, that the following is setup in EnterpriseOne or PeopleSoft World.

- a. Plant
- b. Line Number

JD Edwards Processing Option Settings

Enter the Processing Option values, which correspond, to the version you selected for testing.

JDE Version: ZJDE0001_____

Tab	Processing Option Description	Value

Execution Procedures

ID	Test Case	Expected Result	Pass	Fail
1	Type in a valid Plant _____ Press the ENTER key	RFGEN will validate and accept the plant entered		
2	Type in a valid PO# _____ Press the ENTER key	RFGEN will validate and accept the purchase order number entered		
3	Type in a valid Type _____ Press the ENTER key	RFGEN will validate and accept the document type entered		
4	Type in a valid Line# _____ Press the ENTER key	RFGEN will validate and accept the line number entered; and display the item number/description, status, order quantity, received quantity, open quantity, location, and lot number		
5	Type in an invalid Plant _____ Press the ENTER key	RFGEN will validate and display an error message – the field will continue to error out until corrected		
6	Type in an invalid PO# _____ Press the ENTER key	RFGEN will validate and display an error message – the field will continue to error out until corrected		

7	Type in an invalid Type Press the ENTER key	RFGEN will validate and display an error message – the field will continue to error out until corrected		
8	Type in an invalid Line# Press the ENTER key	RFGEN will validate and display an error message – the field will continue to error out until corrected		
9	Press the “F1” key with the cursor in the Plant field	RFGEN will display a list of branch/plants		
10	Press the “F1” key with the cursor in the Plant field to select and return a Plant	RFGEN will display a list of branch/plants and when selected, the Plant will be returned		
11	Press the “F1” key with the cursor in the PO# field	RFGEN will display a list of purchase order numbers		
12	Press the “F1” key with the cursor in the PO# field to select and return an SO#	RFGEN will display a list of purchase order numbers and when selected, the PO# will be returned		
13	Press the “F1” key with the cursor in the Type field	RFGEN will display a list of document types		
14	Press the “F1” key with the cursor in the Type field to select and return a Type	RFGEN will display a list of document types and when selected, the document type will be returned		
15	Press the “F1” key with the cursor in the Line# field	RFGEN will display a list of line numbers		
16	Press the “F1” key with the cursor in the Line# field to select and return a Line#	RFGEN will display a list of line numbers and when selected, the line number will be returned		
17	If the “>” arrow key is pressed	RFGEN will scroll to the next purchase order number for the item		
18	If the “<” arrow key is pressed	RFGEN will scroll to the previous purchase order number for the item		
19	At the “Enter For Next Inquiry” prompt Press the ENTER key	RFGEN will clear purchase order information on the display and position the cursor in the purchase order number field		
20	After reviewing the PO Inquiry by Line display	Confirm the PO Inquiry by Line results		

Overall Test Case Results

Pass/Fail:	
Tester/Date:	
Re-Tester/Date:	

Actual Results:	
------------------------	--

Comments:	
------------------	--