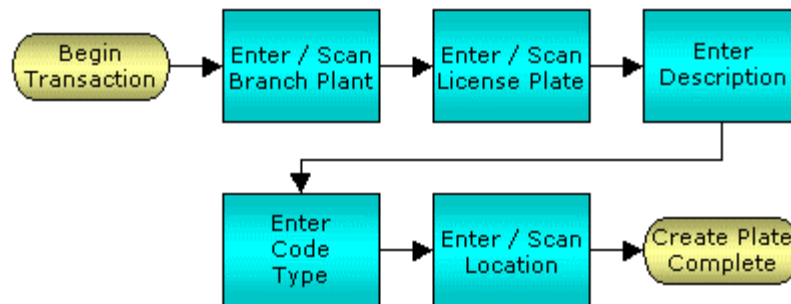


License Plate Creation



© The DataMAX Software Group Inc
5049 Robert J Mathews Parkway, Suite 100
El Dorado Hills, CA 95762
(916) 939-4065

JD Edwards ENTERPRISEONE® are registered trademarks of Oracle® and protected by national and international copyright laws.

License Agreement

All information contained in this document is **Copyright 2006, the DataMAX Software Group, Inc., All Rights Are Reserved by DataMAX.** This document may not be published, nor used without the prior written consent of DataMAX. **Use of the RFGen Software 'Open Source' code is at all times subject to the DataMAX Open Source Licensing Agreement,** which must be accepted at the time the source code is installed on your computer system. For your convenience, a text copy of the Open Source Licensing Agreement is also loaded (and may be printed from) your RFGen based system.

Requirements: RFGen Version 3.2.0.25 or later
RFGen JDEdwards Integration Suite

TABLE OF CONTENTS

FLPCP0100 – LICENSE PLATE CREATE PLATE	2
✓ VALIDATIONS	2
✓ EDITS	2
⇨ FUNCTION KEYS	2
TEST SCRIPT DESCRIPTION: LP CREATE LICENSE PLATE	3
RFGEN INPUT REQUIREMENTS	3
JD EDWARDS PROCESSING OPTION SETTINGS	3
EXECUTION PROCEDURES	4
TEST CASE	4
OVERALL TEST CASE RESULTS	5

FLPCP0100 – License Plate Create Plate



This transaction allows you to build a license plate that will be held in the License Plating database in the master tables.

The following conditions apply to the RFGen implementation for the License Plate Create transaction within the EnterpriseOne environment.

Note: any of these parameters may be easily adjusted to meet the unique requirements of your company.

✓ Validations

Prompt	Table	Field
Plant	F41001	CIMCU
License Plate Number	LP101	LPPID

✓ Edits

Condition	Table
Default Branch Plant	F40095

⇄ Function Keys

Key	Function
F1	Search Data for Current Field
F2	Refresh the Current Screen Display
F3	
F4	Exits Transaction

Test Script Description: LP Create License Plate

RFGen Input Requirements

Before you begin testing, ensure, for the combination of branch/plant(s) and item(s) you will be testing, that the following is setup in EnterpriseOne or PeopleSoft World.

- a. Branch/Plant
- b. License Plate Number
- c. Code Type

JD Edwards Processing Option Settings

Enter the Processing Option values, which correspond, to the version you selected for testing.

JDE Version: ZJDE0001 _____

Tab	Processing Option Description	Value

Execution Procedures

ID	Test Case	Expected Result	Pass	Fail
1	Type in a valid Plant _____ Press the ENTER key	RFGEN will validate and accept the branch/plant entered		
2	Type in a valid LP# _____ Press the ENTER key	RFGEN will validate and accept the license plate entered		
3	Type in a valid Code _____ Press the ENTER key	RFGEN will validate and accept the code entered—the code description and 'from' location is displayed		
4	Type in an invalid Plant _____ Press the ENTER key	RFGEN will validate and display an error message – the field will continue to error out until corrected		
5	Type in an invalid LP# _____ Press the ENTER key	RFGEN will validate and display an error message – the field will continue to error out until corrected		
6	Type in an invalid Code _____ Press the ENTER key	RFGEN will validate and display an error message – the field will continue to error out until corrected		
7	Press the “F1” key with the cursor in the Plant field	RFGEN will display a list of branch/plant		
8	Press the “F1” key with the cursor in the Plant field to select and return a Plant	RFGEN will display a list of branch/plant and when selected, the Plant will be returned		
9	At the RFGEN “Enter to Accept Prompt” the transaction is added	Confirm the Create Plate results		

Overall Test Case Results

Pass/Fail:	
Tester/Date:	
Re-Tester/Date:	

Actual Results:	
------------------------	--

Comments:	
------------------	--